

# Standard SMT and Through Hole Lead Bend Options for Subminiature LED Lamps

## Technical Data

**Option 11, 12, 21, 22, 31, 32, 1L, 1S, 2L, 2S**

### Features

- **Surface Mount Lead Configurations**
- **Right Angle Lead Bend for Through Hole Mounting**
- **Tape and Reel in Accordance with ANSI/EIA RS-481 Specifications**

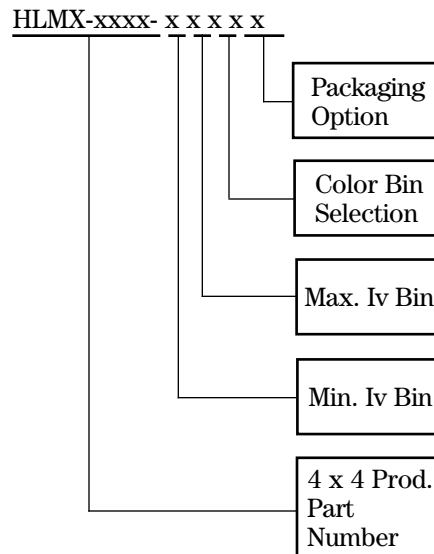
### Description

Subminiature lamps (HLMx-Pxxx, HLMX-Qxxx, HLMP-6xxx, HLMP-70xx) are available with the above standard options.

Subminiature Lamps with Options 11, 12, 21, 22, 31, and 32 are suitable for surface mount applications and their leads are formed with gull wing, yoke bend and Z bend respectively. They are available in Tape and Reel (compatible to ANSI/EIA RS-481) or bulk. Options 1L, 1S, 2L, and 2S are right angle lead bends suitable for through hole applications.

### Ordering Information

To order Subminiature Lamps packaged with these standard options, include the appropriate option code along with the device catalog part number. Example: to order the HLMP-6300-F00xx with Option 11 gull wing leads in 12 mm embossed tape on 178 mm (7 inch) diameter reels, with 1500 lamps per reel; order as follows: HLMP-6300-F0011. Order quantities must be placed in reel increments only. Orders for partial reels will not be accepted. For additional information, please contact your local Agilent Technologies sales office or franchised distributor for assistance.



## Selection Guide

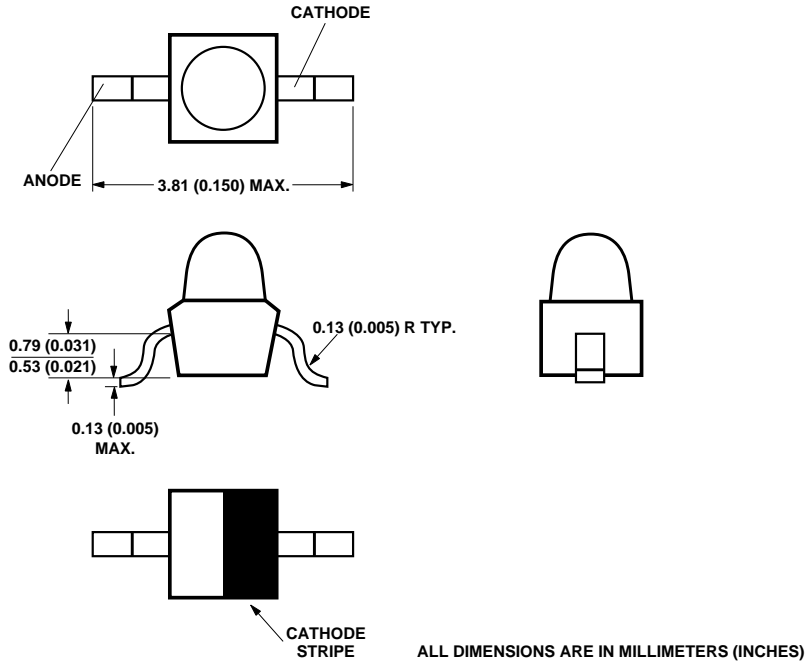
Option Code	Package Configuration		Package Outline Drawing
11	Gull Wing Leads, 12 mm Tape on 7 in. Dia. Reel, 1500 Parts per Reel <sup>[1]</sup>		Surface Mount Lead Configurations
12	Gull Wing Lead, Bulk Packaging, Quantity of 500 Parts <sup>[2]</sup>		
14	Gull Wing Leads, 12 mm Tape on 13 in. Dia. Reel, 6000 Parts per Reel <sup>[1]</sup>		
21	Yoke Leads, 12 mm Tape on 7 in. Dia. Reel 1500 Parts per Reel <sup>[1]</sup>		
22	Yoke Leads, Bulk Packaging, Quantity of 500 Parts <sup>[2]</sup>		
24	Yoke Leads, 12 mm Tape on 13 in. Dia. Reel, 6000 Parts per Reel <sup>[1]</sup>		
31	Z-Bend Leads, 12 mm Tape on 7 in. Dia. Reel 1500 Parts per Reel <sup>[1]</sup>		
32	Z-Bend Leads, Bulk Packaging, Quantity of 500 Parts <sup>[2]</sup>		
34	Z-Bend Leads, 12 mm Tape on 13 in. Dia. Reel, 6000 Parts per Reel <sup>[1]</sup>		
1L	2.54 mm (0.100 inch)	Long Leads; 10.4 mm (0.410 in.)	Right Angle Lead Bends for Through Hole Mounting
1S	Center Lead Spacing	Short Leads; 3.7 mm (0.145 in.)	
2L	5.08 mm (0.200 inch)	Long Leads; 9.2 mm (0.364 in.)	
2S	Center Lead Spacing	Short Leads; 3.7 mm (0.145 in.)	

### Notes:

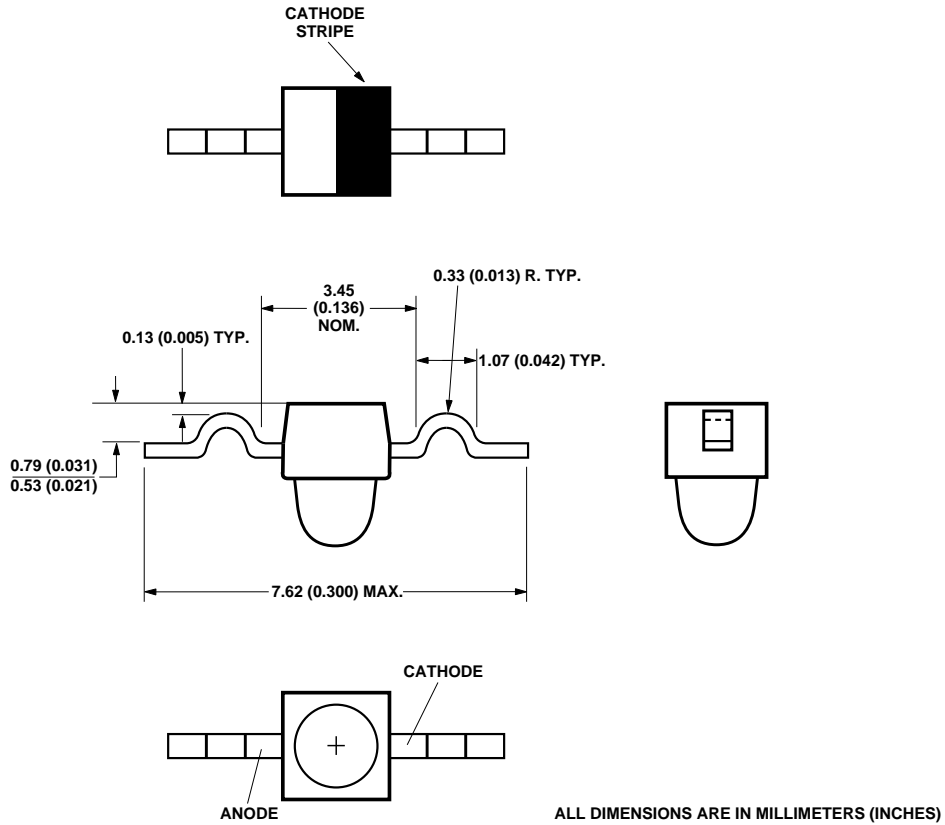
1. SMT lamps are supplied in 12 mm embossed carrier tape. Minimum order is for one full reel, either 7 inch or 13 inch. All other order quantities must be in reel increments only. Orders for partial reels are not accepted.
2. Vapor barrier bags are used for bulk packaging.

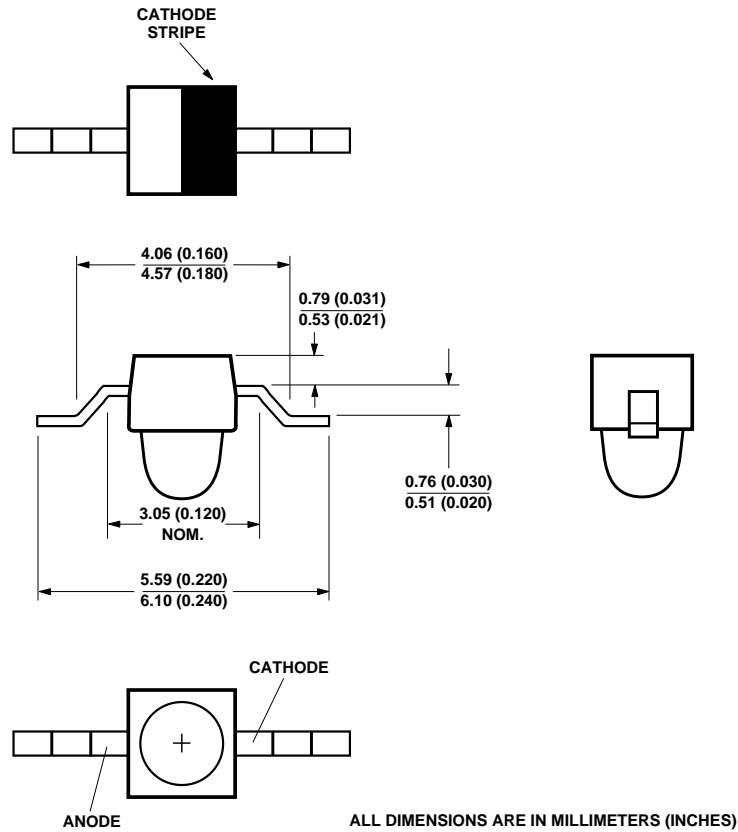
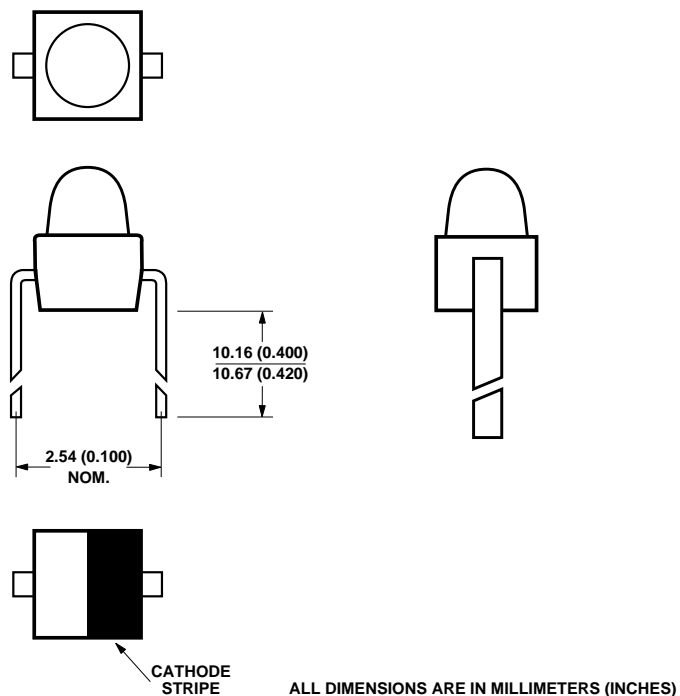
### Package Dimensions, Lead Bend Options

#### (A) Gull Wing Lead, Option 11, 12, and 14

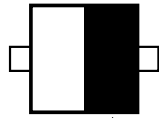
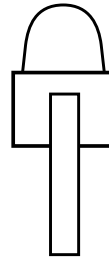
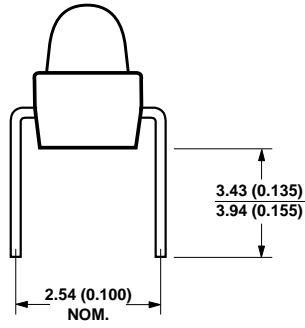
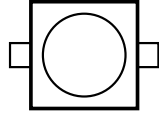


#### (B) "Yoke" Lead, Options 21, 22, and 24



**(C) Z-Bend Lead, Option 31, 32, and 34****(D) Rt. Angle Bend Option 1L**

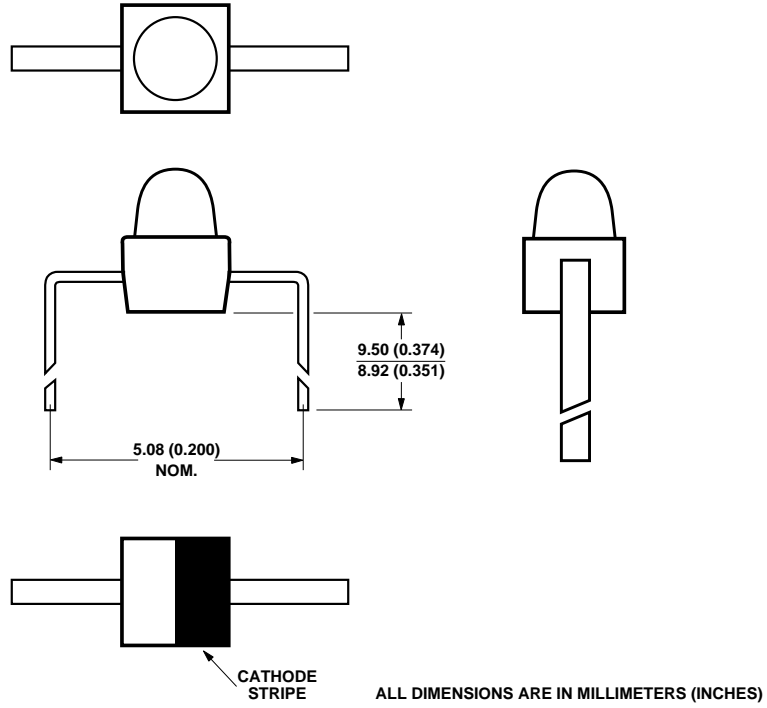
**(E) Rt. Angle Bend Option 1S**



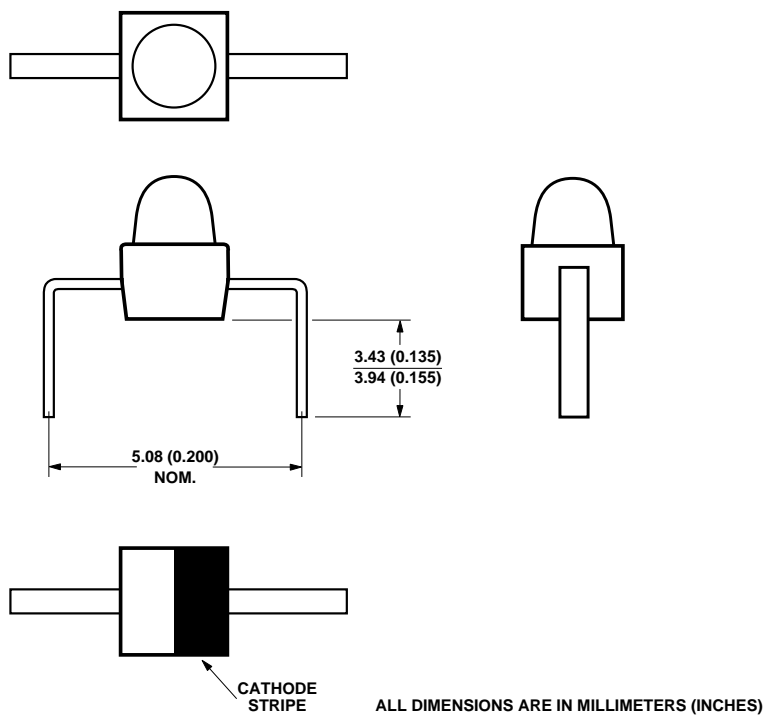
CATHODE  
STRIPE

ALL DIMENSIONS ARE IN MILLIMETERS (INCHES)

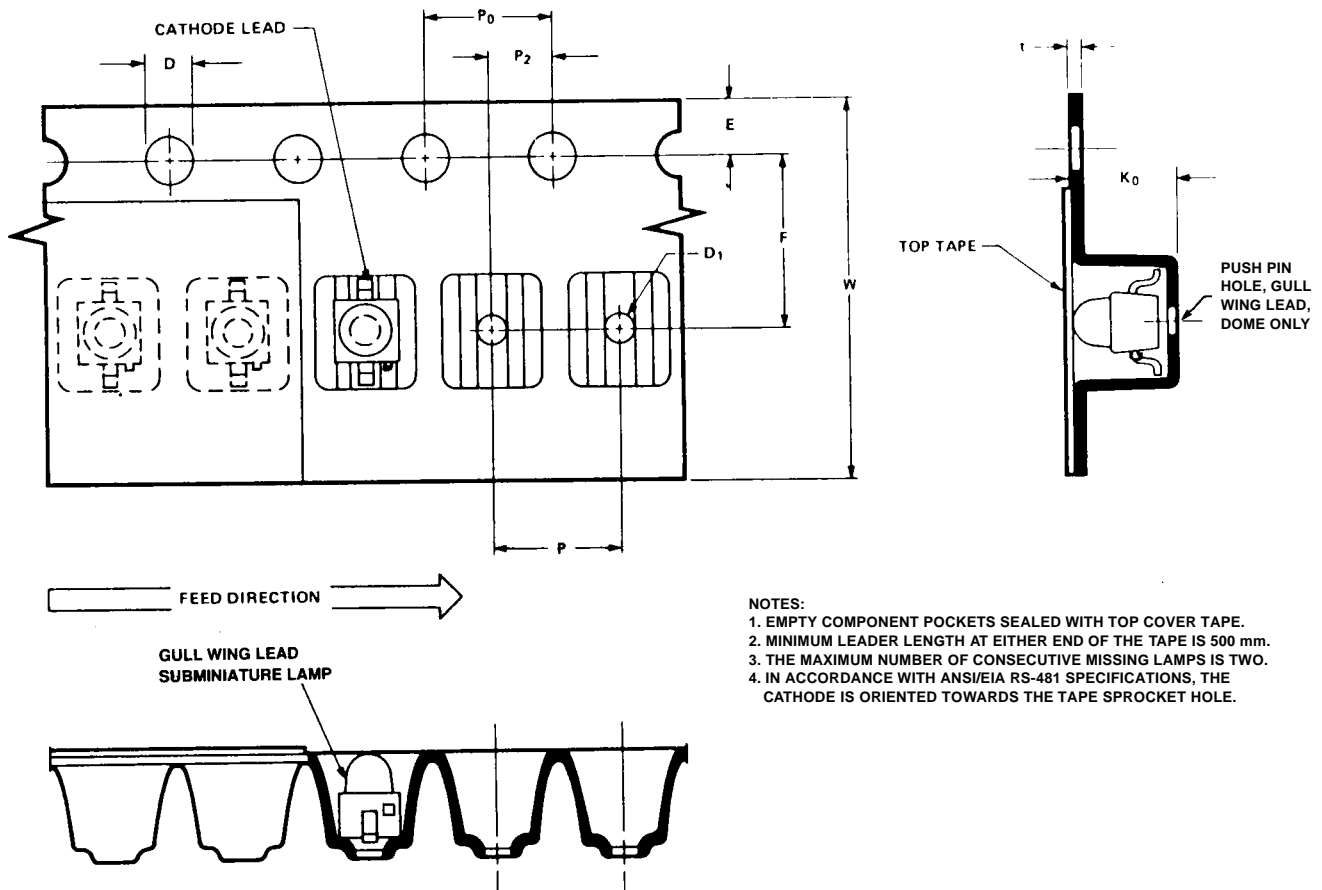
**(F) Rt. Angle Bend Option 2L**



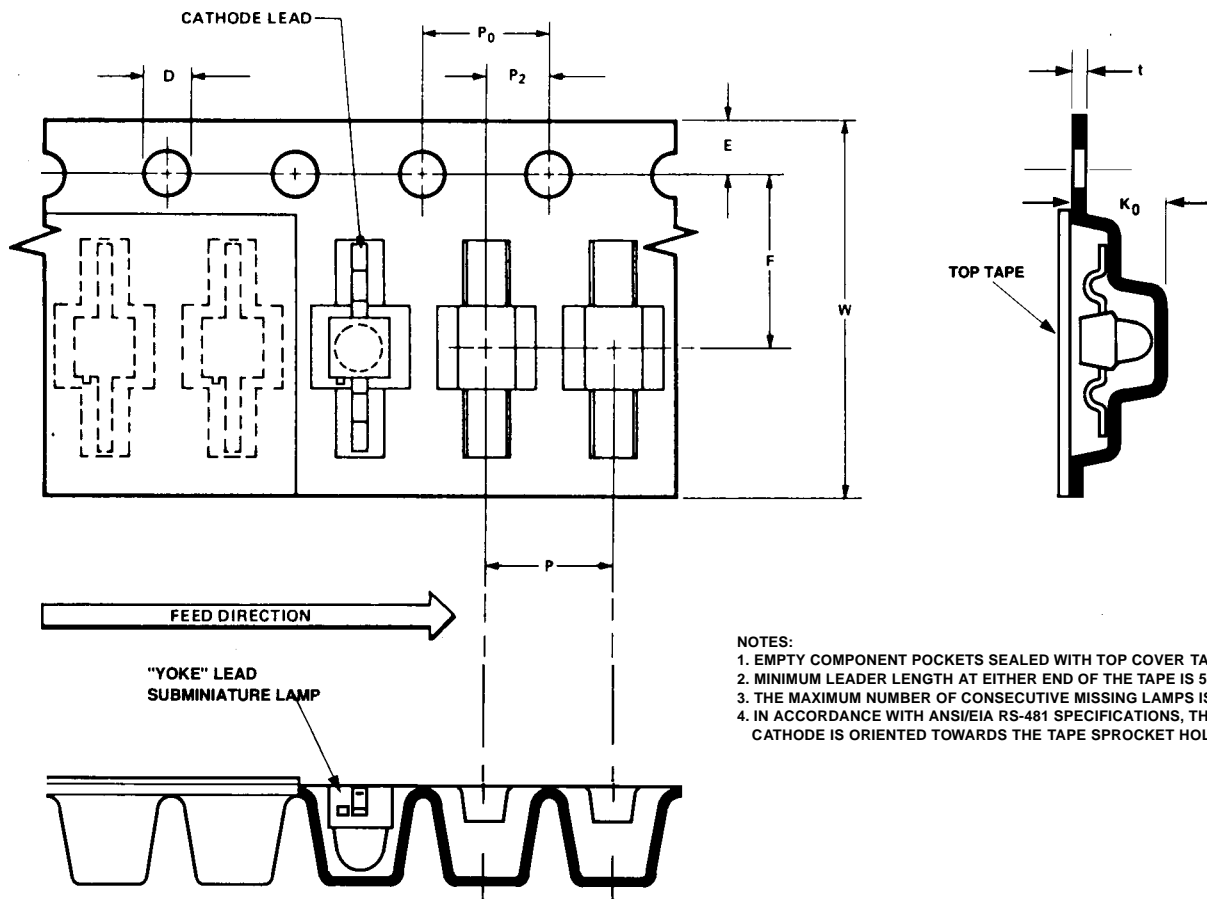
**(G) Rt. Angle Bend Option 2S**



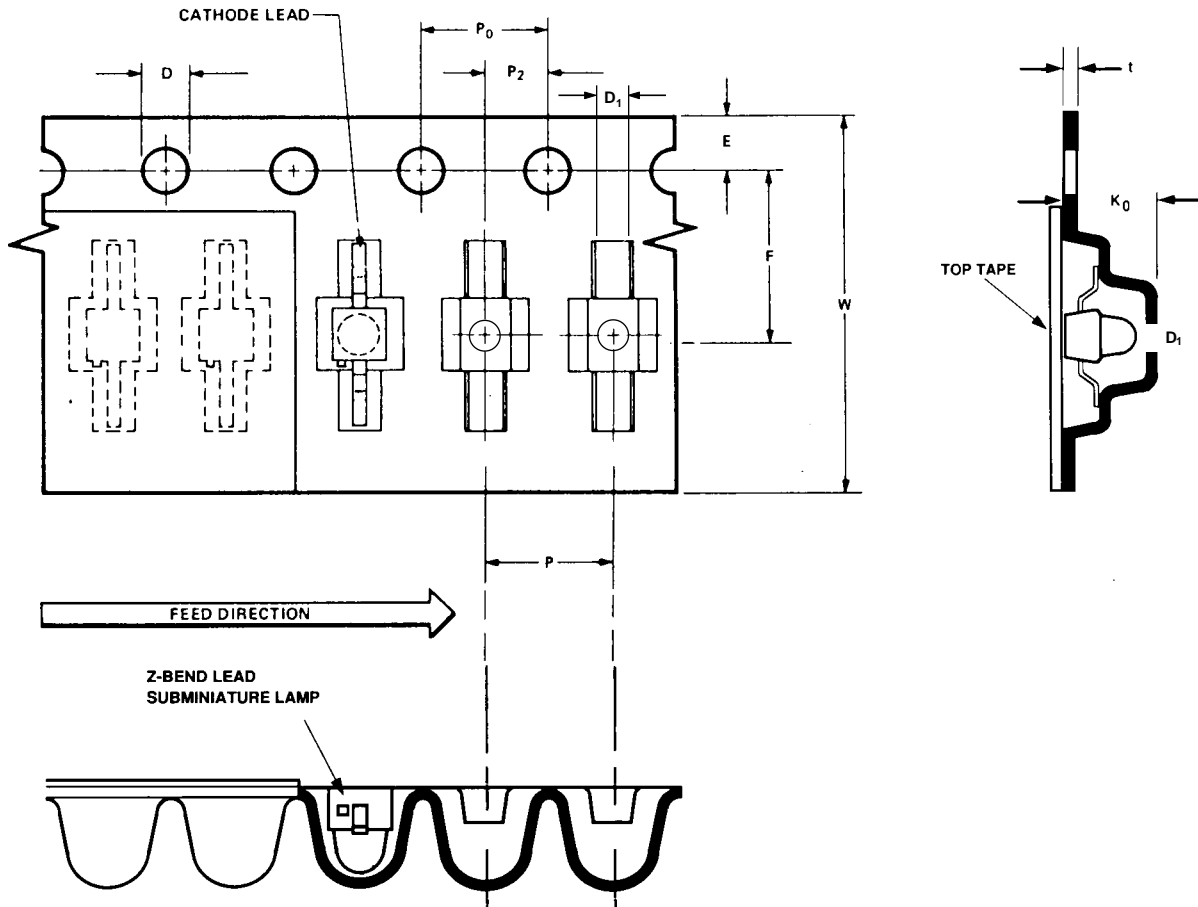
## Package Dimensions: Surface Mount Tape and Reel Options (H) 12 mm Tape and Reel, Gull Wing Lead



## (I) 12 mm Tape and Reel, "Yoke" Lead



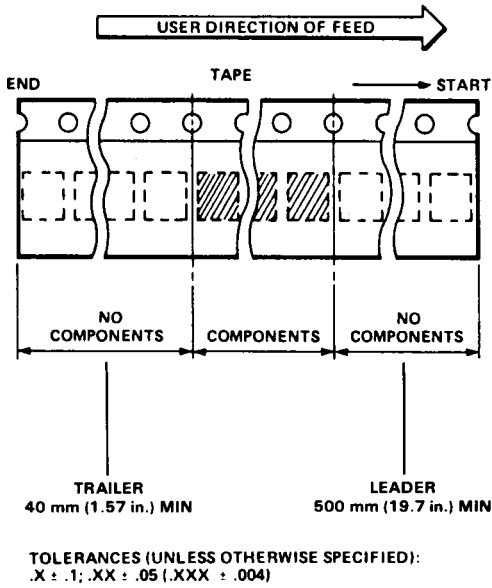


**(J) 12 mm Tape and Reel, Z-Bend Lead**

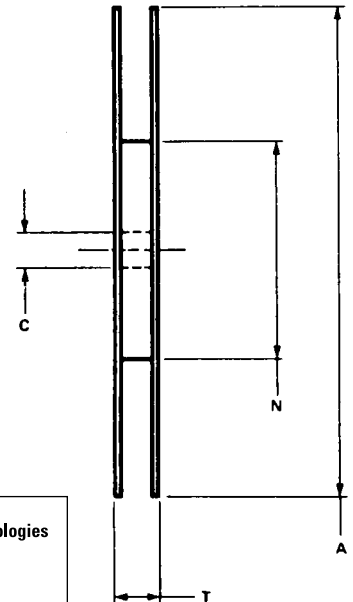
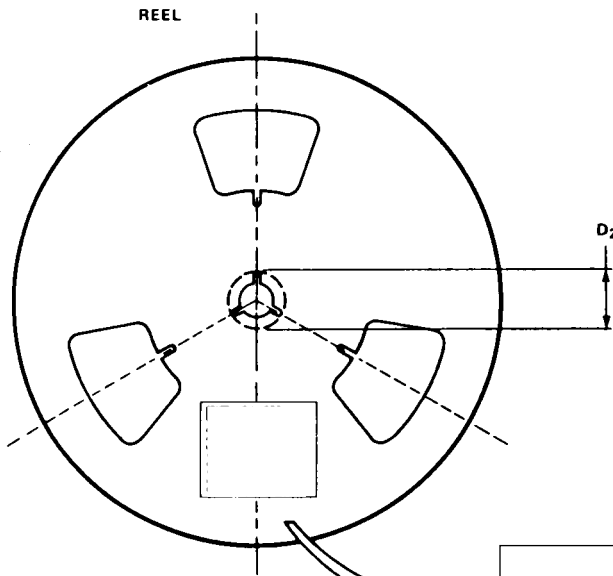
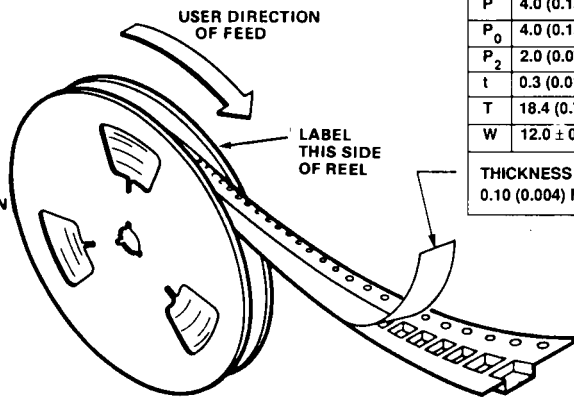
	Reel Dimensions Per ANSI/EIA Standard RS-481.	All Dimensions Are in Millimeters (Inches).
	7 inch Reel	13 Inch Reel
A	178.0 ± 2.0 (7.0 ± 0.08) Dia.	330 (12.9) Dia. Max.
C	13.0 (0.512) Dia. Typ.	13.0 (0.512) Dia. Typ.
N	50.0 (1.97) Min.	100.0 (3.93) Min.
T	18.4 (0.72) mMax.	18.4 (0.72) Max.

	Embossed Carrier Tape Dimensions Per ANSI/EIA Standard RS-481.		All Dimensions Are in Millimeters (Inches).		
	Gull Wing Dome	Gull Wing Flat Top	Yoke Dome	Z-Bend Dome	Yoke and Z-Bend Flat Top
D	1.55 (0.061 ± 0.002) Dia.	1.55 (0.061 ± 0.002) Dia.	1.55 (0.061 ± 0.002) Dia.	1.50 + 0.10 (0.059 + 0.004) Dia.	1.50 + 0.10 (0.059 + 0.004) Dia.
D <sub>1</sub>	1.0 (0.039) Dia. Min.	N/A (No Push Pin Hole)	N/A (No Push Pin Hole)	1.50 + 0.25 (0.059 + 0.010)	N/A (No Push Pin Hole)
D <sub>2</sub>	20.2 (0.795) Dia. Min.	20.2 (0.795) Dia. Min.	20.2 (0.795) Dia. Min.	20.2 (0.795) Dia. Min.	20.2 (0.795) Dia. Min.
E	1.75 ± 0.1 (0.069)	1.75 ± 0.1 (0.069)	1.75 ± 0.1 (0.069)	1.75 ± 0.1 (0.069)	1.75 ± 0.1 (0.069)
F	5.50 ± 0.05 (0.217 ± 0.002)				
K <sub>0</sub>	3.05 ± 0.1 (0.120) Typ.	2.54 ± 0.1 (0.100) Typ.	3.05 ± 0.1 (0.120) Typ.	2.97 ± 0.1 (0.117) Typ.	3.05 ± 0.1 (0.120) Typ.
P	4.0 (0.157) Typ.	4.0 (0.157) Typ.	4.0 (0.157) Typ.	4.0 (0.157) Typ.	4.0 (0.157) Typ.
P <sub>0</sub>	4.0 (0.157) Typ.	4.0 (0.157) Typ.	4.0 (0.157) Typ.	4.0 (0.157) Typ.	4.0 (0.157) Typ.
P <sub>2</sub>	2.0 (0.079 ± 0.002)	2.0 (0.079 ± 0.002)	2.0 (0.079 ± 0.002)	2.0 (0.079 ± 0.002)	2.0 (0.079 ± 0.002)
t	0.3 (0.012) Typ.	0.3 (0.012) Typ.	0.3 (0.012) Typ.	0.305 ± 0.013 (0.0120 ± 0.0005)	0.305 ± 0.013 (0.0120 ± 0.0005)
W	12.0 ± 0.3 (0.472 ± 0.012)	12.0 ± 0.3 (0.472 ± 0.012)	12.0 ± 0.3 (0.472 ± 0.012)	12.0 ± 0.3 (0.472 ± 0.012)	12.0 ± 0.3 (0.472 ± 0.012)

**(K) 12 mm Tape and Reel**



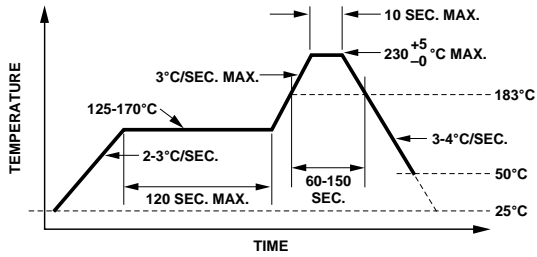
DIMENSIONS PER ANSI/EIA STANDARD RS-481. ALL DIMENSIONS ARE IN MILLIMETRES (INCHES).	
A	178.0 ± 2.0 (7.0 ± 0.08) DIA.
C	13.0 (0.512) DIA. TYP.
D	1.55 (0.061 ± 0.002) DIA.
D <sub>1</sub>	1.0 (0.039) DIA. MIN.
D <sub>2</sub>	20.2 (0.795) DIA. MIN.
E	1.75 ± 0.1 (0.069)
F	5.50 (0.127 ± 0.002)
K <sub>0</sub>	3.05 ± 0.1 (0.120) TYP.
N	50.0 (1.970) MIN.
P	4.0 (0.157) TYP.
P <sub>0</sub>	4.0 (0.157) TYP.
P <sub>2</sub>	2.0 (0.079 ± 0.002) TYP.
t	0.3 (0.012) TYP.
T	18.4 (0.72) MAX.
W	12.0 ± 0.3 (0.472 ± 0.012)
THICKNESS OF TOP COVER TAPE 0.10 (0.004) MAX.	



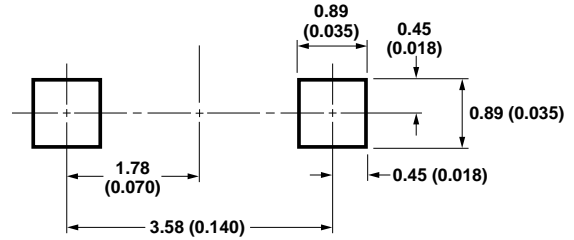
Storage Condition: 5 to 30°C @ 60% RH max.  
 Baking is required under the condition:  
 a) the blue silica gel indicator becoming white/transparent color  
 b) the pack has been opened for more than 1 week  
 Baking recommended condition: 60 ± 5°C for 20 hours.

PART:	
LOT NO:	
QTY:	C/O:
EXC:	
TAPE DATE:	
QA INSP:	

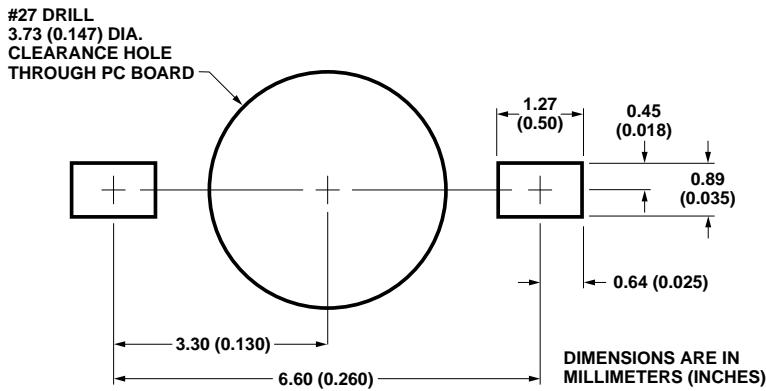
**(L) Recommended Reflow Soldering Profile and Soldering Pad Pattern for SMT Options**



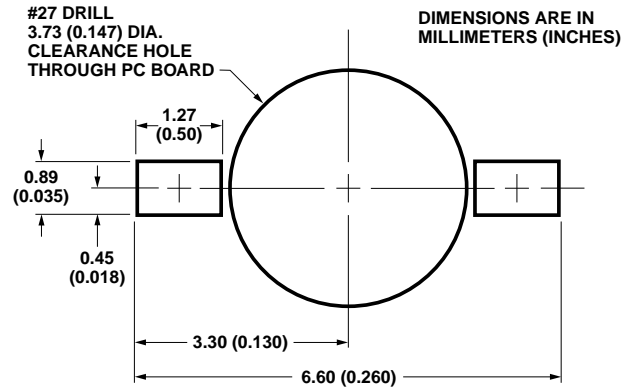
**Recommended Reflow Soldering Profile.**  
Wait until device has cooled to room temperature before handling.



**Recommended Soldering Pad Pattern for Gull Wing Leads 11, 12, and 14.**



**Recommended Soldering Pad Pattern for Yoke Leads 21, 22, and 24.**



**Recommended Soldering Pad Pattern for Z-Bend Leads 31, 32, and 34.**

